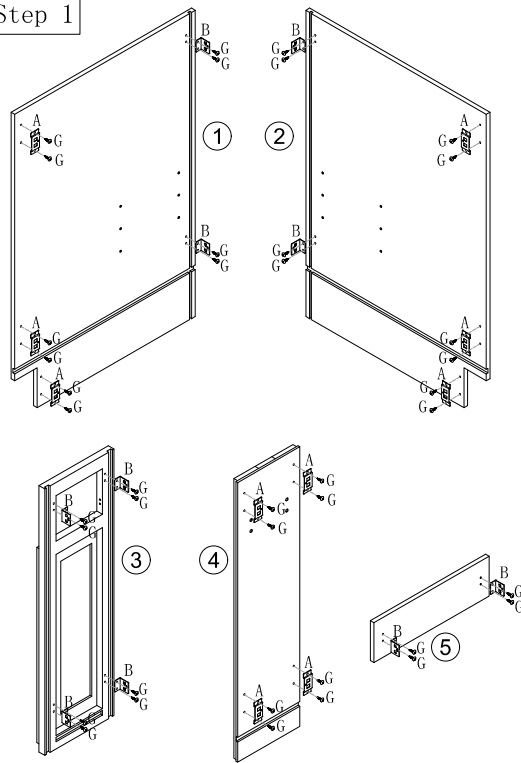




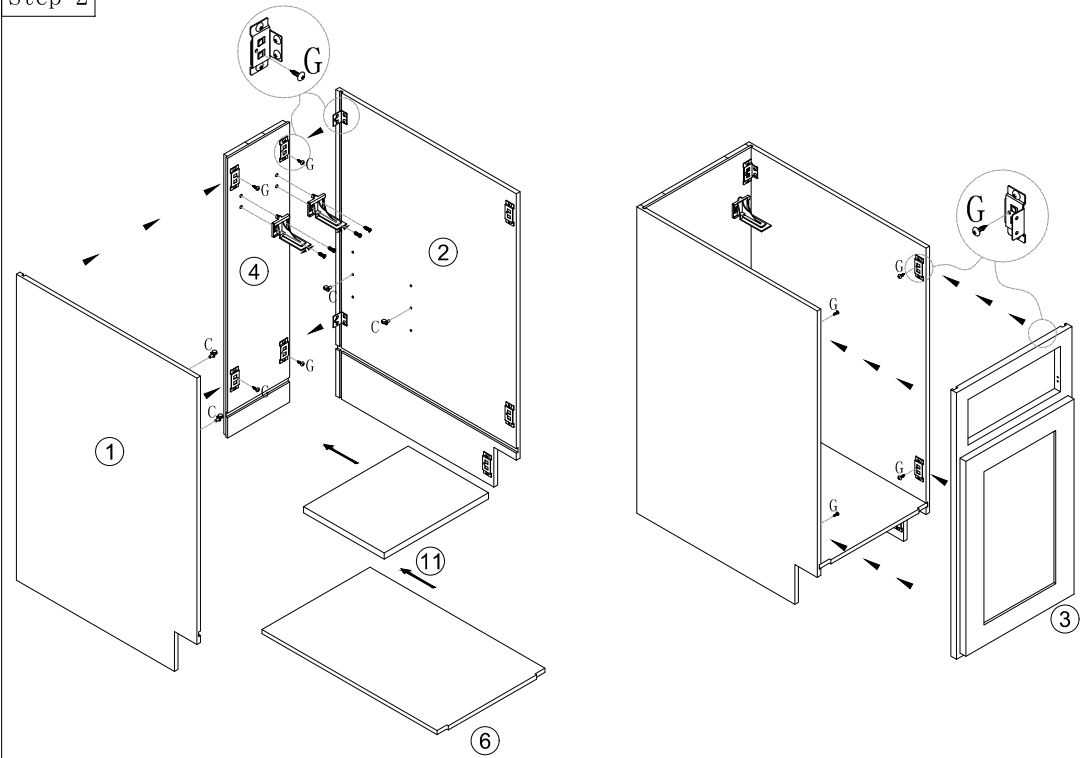
ASSEMBLY INSTRUCTIONS

B15/B18/B21

Step 1



Step 2



Parts list

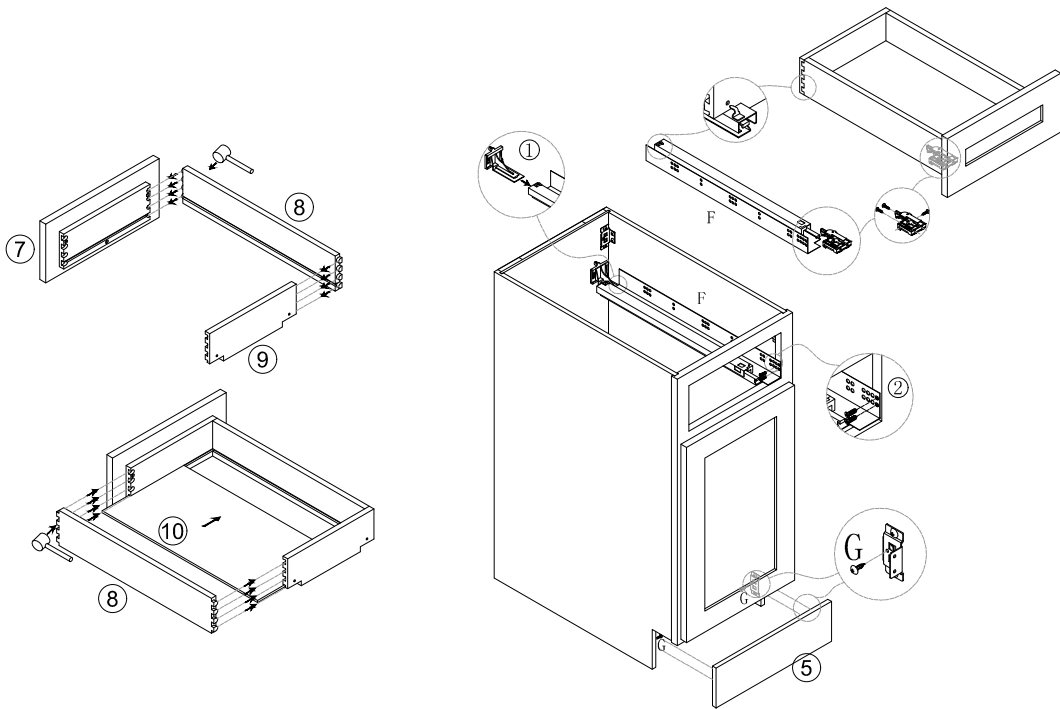
NO.	Parts	QTY
A		10
B		10
C		4
D		16
E		4

NO.	Parts	QTY
F		1
G		50

Tools
(required but not provided)



Step 3



Finished

